

## auto electrical parts

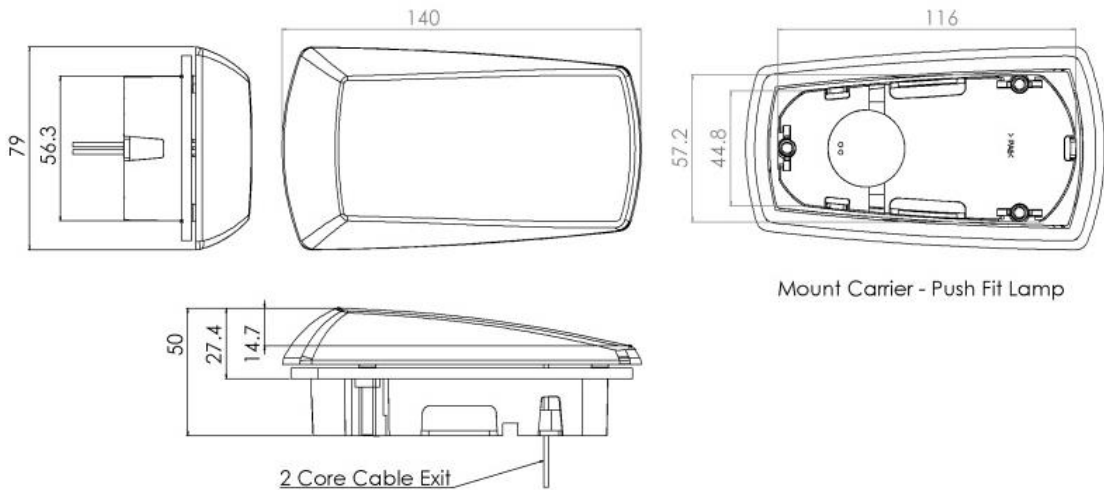
### Technical Information Sheet

#### Part No. 0-170-40

Durite High Intensity CAT 6 Side Repeater.  
Side Illumination Safety Feature. No Visible  
Fixings. 9 –33 Volt. High Chrome Finish. IP 67.  
E Marked.



#### Technical Drawing (not to scale)



#### Specification

Type	LED Side Marker Repeater
Voltage	12/24V
Power Consumption	1.44W @ 12VDC. 2.76W @ 24VDC.
Material	Lens –PMMA   Housing –ABS/Polycarbonate
Operating Temperature	-40°C to +85°C
Protection	IP67
Flying Leads	150mm
Dimensions	Please see above diagram
Certificate	E Marked

The information contained in this document is correct to the best of our knowledge at the time of printing. However, specifications may change at any time without notice.